

NIQ No: IITT/PC/NIQ/38/2022-23

DATE: 09.06.2022

**Notice Inviting Quotation**

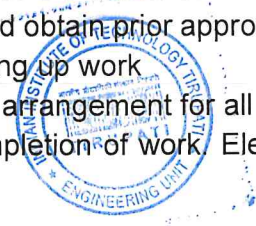
IIT Tirupati hereby invites paraffin wax-sealed quotations for the work mentioned below up to 3.00 PM on 20.06.2022 from eligible contractors/agencies with similar work experience in civil works. The quotations will be opened at 3.30 PM on the same day.

**Name of the work: Proposal for constructing drain at lawn area in front of the Dining Block in IIT Tirupati South Campus.**

**Estimate Cost: 4,96,924/-**

**Terms and Conditions:**

1. IIT-Tirupati shall make no advance payment.
2. The time for completion of works shall be **30 days** from the date of placing the confirmed order by IIT-Tirupati. The act of backing out after quotation will debar such agencies for participating in future quotations of IIT Tirupati. Bidder may email queries on [eu@iittp.ac.in](mailto:eu@iittp.ac.in) or submit to IIT –Tirupati office in hard copy on all working days before a day of the last date of submission of quotation.
3. The blank quotation can be obtained from the IIT Tirupati website <https://iittp.ac.in/tenders>
4. All agencies need to submit their quotation in hard copy in a **paraffin wax-sealed** Envelope to this office by suitable means on and before 3.00 PM on 20.06.2022. The quotation received after the date & time specified above shall not be accepted. Any delays, postal delays, etc., will not be entertained. Agency should quote for all the items in the BOQ. The bid shall be submitted in the original bid document (as issued by the IIT Tirupati), super scribing the name of the work. Quotations will be opened on the same day, i.e., 20.06.2022 at 3.30 PM, in the presence of the bidder or their authorized representatives, if any. The offer of the firm should be commercially clear, including acceptance of all terms and conditions without assigning any reasons.
5. Without the paraffin wax-sealed quotation shall be treated as invalid.
6. Quoted rates should be inclusive of the cost of all the materials, labour cost, octroi duties, cost of sample, and fees towards testing of materials in labs, royalties, etc., complete. Nothing extra shall be paid.
7. All approved makes shall be as specified in BOQ and CPWD specifications; the agency should put up technical data and obtain prior approval on makes of various materials of IIT Tirupati before taking up work.
8. The successful agency shall make its own arrangement for all Tools & tackles for work etc., complete in view of the completion of work. Electricity shall be



- provided free of cost to an agency at one source, and the agency should make its own arrangement to tap power from a source to a work location safely.
9. TDS and other applicable taxes and cess will be deducted from the bills as of the work.
  10. Specification for the work to be carried out as per BOQ, latest CPWD specification, IS specification & as per instruction of IIT Tirupati wherever CPWD/IS specifications are not available.
  11. The contractor shall ensure that minimum wages should be paid to the labours and employees in accordance with labor laws.
  12. Agency to submit computerized measurement and abstract sheet to IIT Tirupati for payments.
  13. Amount quoted for items should be as specified in the BOQ
  14. Following the latest developments and restrictions imposed in the country and state in view of the COVID-19, the agency should have strict compliance with the rules and precautionary measures mentioned in the state government's orders from time to time. The submission of bids should be in the tender box placed at the main gate of the institute. Also, the successful agency should ensure all safety precautions and social distancing norms during the execution of work.
  15. The contractor shall submit a sealed quotation with a covering letter (Neatly typed) on their Letter Head. **Without submitting the covering letter, the quotation will be rejected.**
  16. The contractor should mention the Name of the work and the Address of the Contract Agencies on their sealed Envelope.
  17. Blacklisted contractor or a contractor who has not executed the previous works for IIT-TIRUPATI to a satisfactory level is not eligible for participation in this tender. The tender submission by such a contractor will not be accepted.
  18. The contractor should send a sealed envelope to the following address  
**The Head, Engineering Unit  
Indian Institute of Technology Tirupati  
Temporary Campus, Renigunta Road, Settipalli Post,  
Tirupati District, Tirupati-517506.**

Encl: 1. Annexure-I & Schedule of quantity-as per Annexure-II



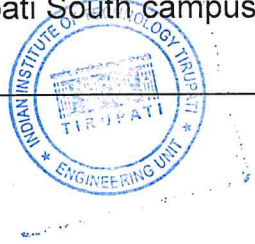
  
Head, Engineering Unit

Annexure-I

Name of the work: Construction of drain at lawn area in front of Dining Block in IIT Tirupati South campus.

NIQ NO: IITT/PC/NIQ/38/2022-23

S.No	Name of the Work	Estimated Cost in Rupees	% of Quoted	Excess/less	Total Amount in Rupees	Total Amount in Words
1	Construction of drain at lawn area in front of Dining Block in IIT Tirupati South campus	4,96,924.00				



**Annexure-II**

**Name of the work:- Construction of drain at lawn area in front of Dining Block in IIT Tirupati South campus**

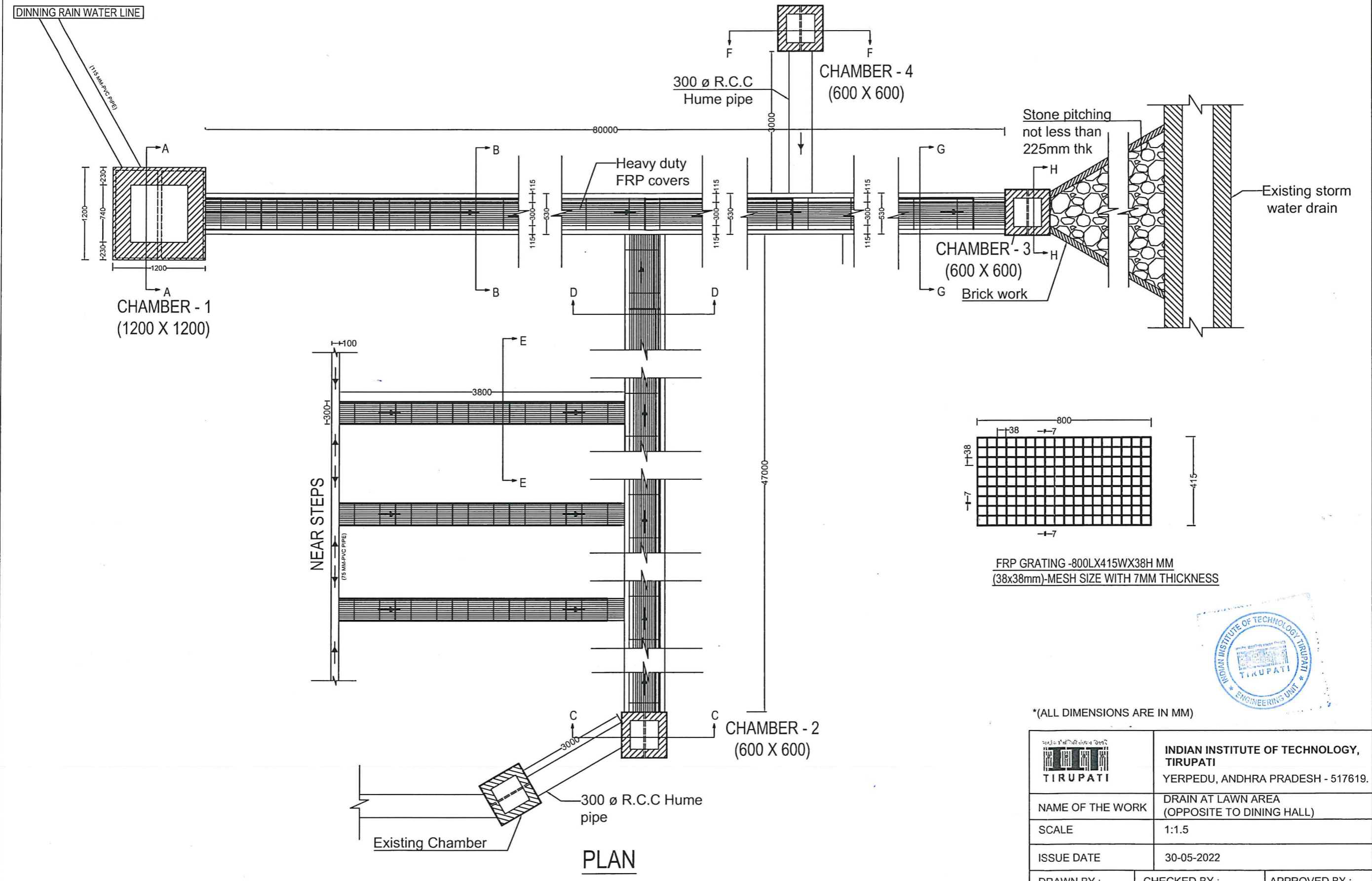
S.No	Description of work	Unit	Qty
1	Demolishing cement concrete anually/ by mechanical means including disposal of material within 50 metres lead as per direction of Engineer - in - charge		
	Nominal concrete 1:4:8 or leaner mix (i/c equivalent design mix	cum	2.4
2	Earth work in excavation by mechanical means (Hydraulic excavator) / manual means in foundation trenches or drains (not exceeding 1.5 m in width or 10 sqm on plan), including dressing of sides and ramming of bottoms, lift upto 1.5 m, including getting out the excavated soil and disposal of surplus excavated soil as directed, within a lead of 50 m		
	All kinds of soil.	cum	56.00
3	Providing and laying in position cement concrete of specified grade excluding the cost of centering and shuttering - All work up to plinthlevel :		
	1:5:10 (1 cement : 5 fine sand derived from natural sources :10 graded stone aggregate 40 mm nominal size derived from natural sources)	cum	12
4	Brick work with non modular fly ash bricks conforming to IS:12894, class designation 10 average compressive strength in super structure above plinth level up to floor V level in :		
	Cement mortar 1:4 (1 cement : 4 coarse sand)	cum	1
5	Half brick masonry with common burnt clay F.P.S. (non modular) bricks of class designation 7.5 in foundations and plinth in :		
	cement mortar 1:4 (1 cement : 4 coarse sand)	sqm	157
6	12 mm cement plaster on rough side of single or half brick wall finished with a floating coat of neat cement of mix :		
	1:4 (1 cement: 4 fine sand)	sqm	205
7	Dry stone pitching 22.5 cm thick including collection of suitable stones around the campus, shifting to the required location, preparing surface and laying of stones as per profile and directed by engineer-in-charge.	sqm	10
8	supplying and fixing factory made FRP Moulded Grating size of 800mm Lx415 mm W with 38mm height Mesh size (38mmx38mm)&Thickness:7mm/5mm Tapered .(grey color) including Transportation and fixing charge etc.,As per Direction of Engineer in charge.	sqm	53



9	Providing and laying non-pressure NP2 class (light duty) R.C.C. pipes with collars jointed with stiff mixture of cement mortar in the proportion of 1:2 (1 cement : 2 fine sand) including testing of joints etc. complete :		
	300 mm dia. R.C.C. pipe	metre	6
10	providing and placing in position 50mm thick factory made machine batched and machine mixed precast RCC Rectangular covers (1200x600mm, 600x300mm) on drains of footpath of various sizes,of M-25 grade cement concrete for RCC work,including cost of centring ,shuttering,reinforcement of 8mm dia TMT bars of Fe-500 grade @ maximum 100mm c/c on both ways ,neat cement punning on finished surface etc i/c cost of cartage ,all leads & lift,handling at site etc.all complete as per direction of Engineer in charge.	sqm	4.6
11	providing and fixing 75 mm diameter Pvc pipe -guage 6 kg/sq cm including supply and fixing with proper slope with making 3mm holes all over the pipe surface etc.,	metre	25
12	providing and fixing 110 mm diameter Pvc pipe -guage 6 kg/sq cm including supply and fixing with proper slope.,	metre	8



# DRAIN AT LAWN AREA (OPPOSITE TO DINING HALL)



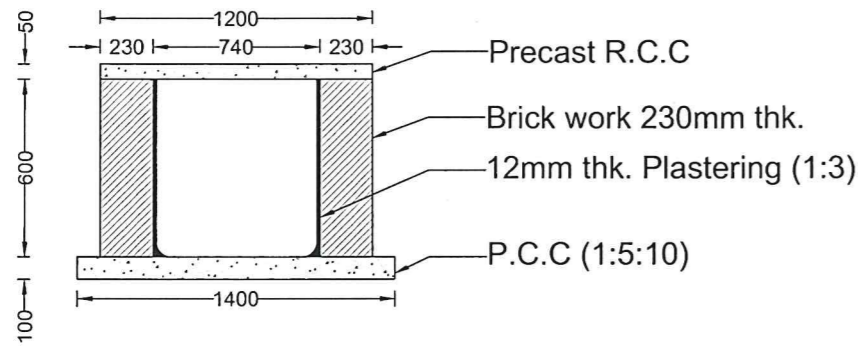
**PLAN**



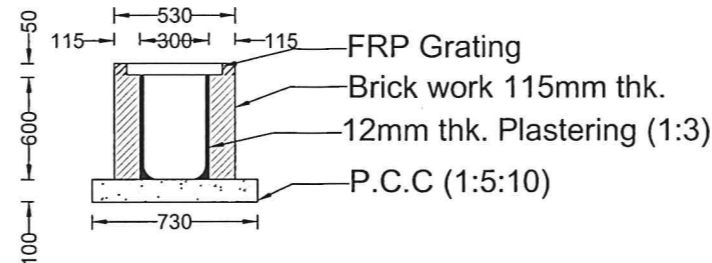
\*(ALL DIMENSIONS ARE IN MM)

 <b>TIRUPATI</b>	<b>INDIAN INSTITUTE OF TECHNOLOGY, TIRUPATI</b> YERPEDU, ANDHRA PRADESH - 517619.	
NAME OF THE WORK	DRAIN AT LAWN AREA (OPPOSITE TO DINING HALL)	
SCALE	1:1.5	
ISSUE DATE	30-05-2022	
DRAWN BY :	CHECKED BY :	APPROVED BY :
S.KUMAR	A.SELVAN(JE)	AEE(CIVIL)

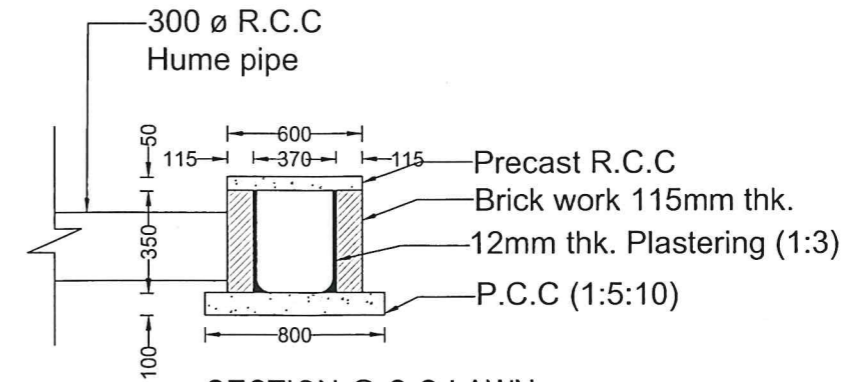
# DRAIN AT LAWN AREA (OPPOSITE TO DINING HALL)



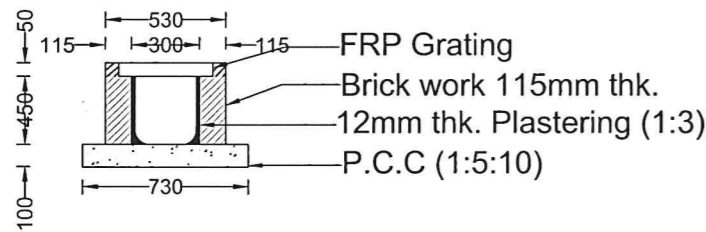
**SECTION @ A-A  
(CHAMBER - 1)**



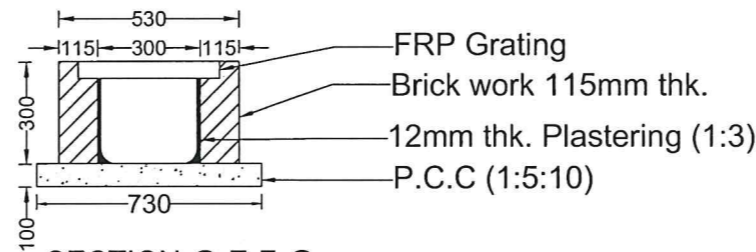
**SECTION @ B-B @  
OPPOSITE OF DINING**



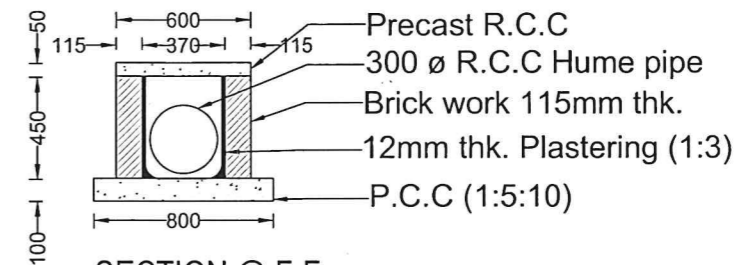
**SECTION @ C-C-LAWN  
STARTING POINT  
(CHAMBER - 2)**



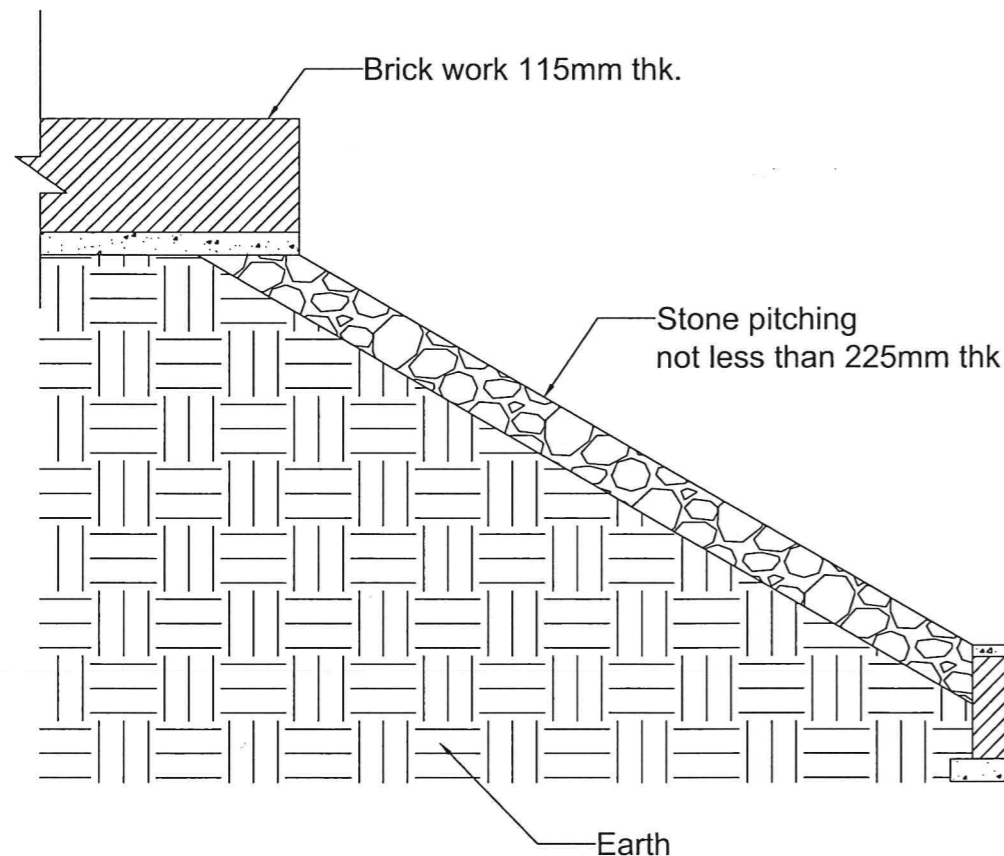
**SECTION @ D-D @ DRAIN ON  
THE LAWN AREA**



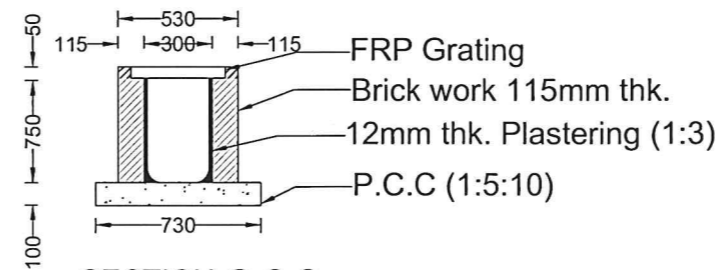
**SECTION @ E-E @  
DRAIN NEAR STEPS**



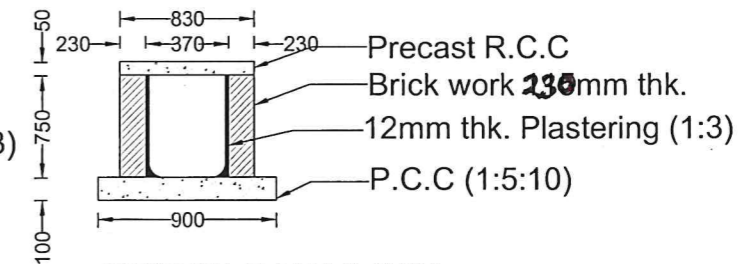
**SECTION @ F-F  
(CHAMBER - 4)**



**ELEVATION @ 1**



**SECTION @ G-G**

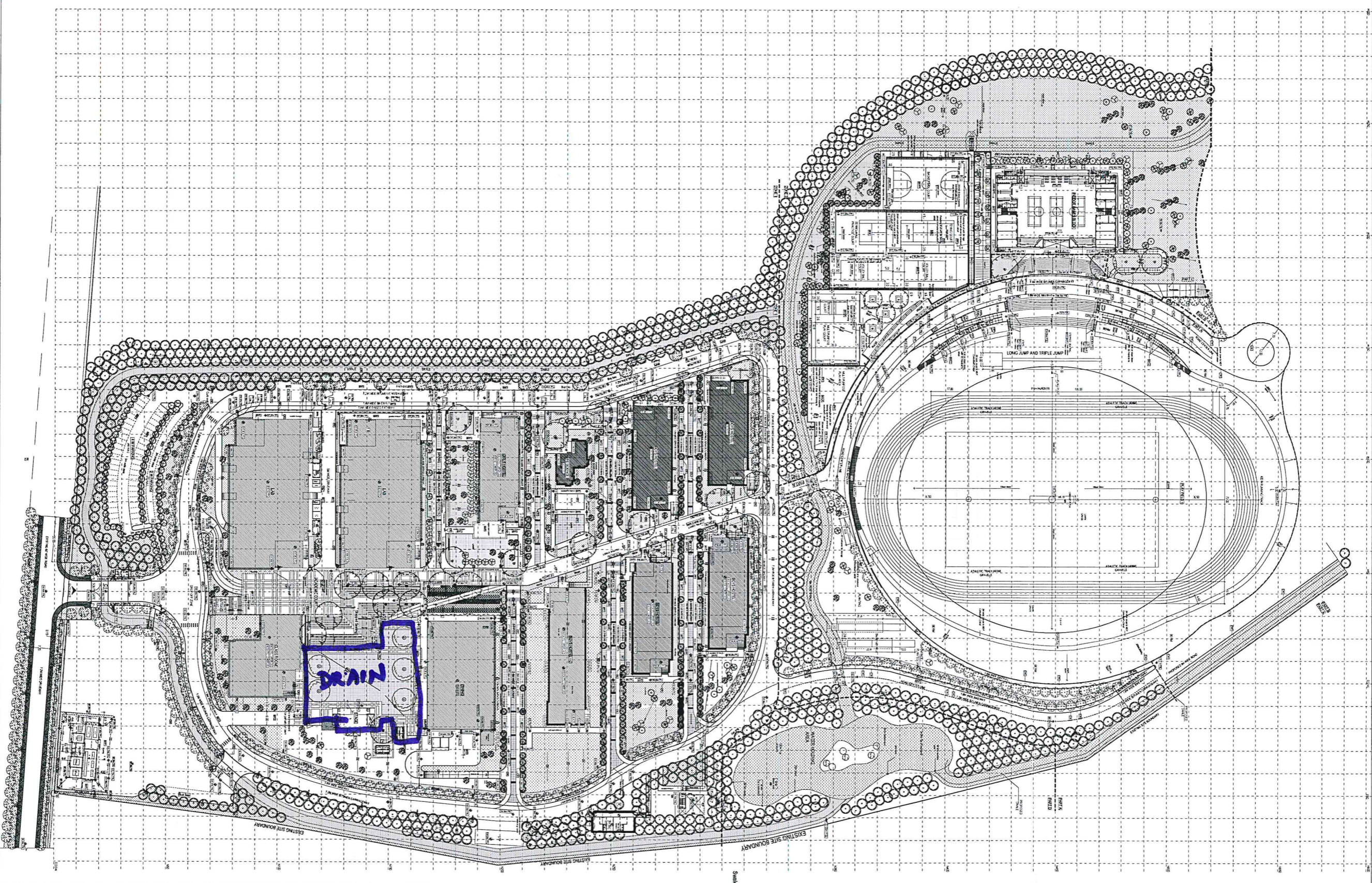


**SECTION @ H-H (LAWN  
END POINT)  
(CHAMBER - 3)**



\*(ALL DIMENSIONS ARE IN MM)

<b>INDIAN INSTITUTE OF TECHNOLOGY, TIRUPATI</b> YERPEDU, ANDHRA PRADESH - 517619.	
NAME OF THE WORK	DRAIN AT LAWN AREA (OPPOSITE TO DINING HALL)
SCALE	1:3
ISSUE DATE	30-05-2022
DRAWN BY : S.KUMAR	CHECKED BY : A.SELVAN(JE)
APPROVED BY : AEE(CIVIL)	



**MATERIAL FINISHES LEGEND**

Symbol	Description
MF05	Granite stone block, hand cut and chisel dressed on top size: 100mm x 100mm x 75mm, colour: Ellis brown
MF09	Granite stone block, hand cut and chisel dressed on top size: 100mm x 100mm x 75mm, colour: Jet black
MF03	Granite stone block, hand cut and chisel dressed on top size: 100mm x 100mm x 75mm, colour: Sideral grey
MF01	Concrete finish (Concrete flooring)
MF02	Concrete flooring with grooves
MF04	Plastering and painting
MF06	Concrete Finish (Concrete Flooring with expansion joints)
MF07	80mm thick interlocking pavers, rectangular shape, size: 200mm x 100mm x 50mm, colour: black / grey in herringbone pattern
MF08	80mm thick interlocking PU mould pavers, rectangular shape, semi-glossed finish, size: 200mm x 100mm x 50mm, colour: grey
MF09	80mm thick interlocking PU mould pavers, rectangular shape, semi-glossed finish, size: 200mm x 100mm x 50mm, colour: black
MF04	80mm thick interlocking PU mould pavers, rectangular shape, semi-glossed finish, size: 200mm x 100mm x 50mm, colour: brown
MF05	80mm thick interlocking PU mould pavers, rectangular shape, semi-glossed finish, size: 200mm x 100mm x 50mm, colour: terracotta
MF06	50 mm thick pre cast concrete stepping stone size: 300mm x 300mm x 50mm
MF07	Thermoplastic painting over blumen, white colour
MF08	(All extra crossings)
MF09	Thermoplastic painting over blumen, green colour (bikeways)
MF10	Thermoplastic painting over concrete (bikeways)
MF05	Gravel Bed (in Play area)
MF06	Polypropylene tie
MF07	Acrylic finish
MF08	Artificial turf

**MATERIAL FINISHES FOR WALL CLADDING**

Symbol	Description
WC01	Plastering and painting

**CURB WALL LEGEND**

Symbol	Description
CCW	Precast concrete curb wall, top raised 150mm above the adjacent level
CCW	Precast concrete curb wall, top flush with adjacent level
CCW	Precast concrete curb wall

**RETAINING WALL LEGEND**

Symbol	Description
RW	Retaining wall - RCC wall

**PLANTING LEGEND**

Symbol	Description
○	Existing tree
□	LAWN
□	PLANTING

**GENERAL LEGEND**

Symbol	Description
—	Culvert
-----	Pit/In protection

**GRADING LEGEND**

S.NO	SYMBOL	DESCRIPTION
1.	FFL	FINISHED FLOOR LEVEL
2.	FRL	FINISHED ROAD LEVEL
3.	FPL	FINISHED PAVING LEVEL
4.	FGL	FORMED GROUND LEVEL
5.	PFL	PLUMB PROTECTION LEVEL
6.	PSE	PIPE SLEEVE TO MEP CONSULTANT'S DETAIL
7.	CBS	CATCH BASIN TO MEP CONSULTANT'S DETAIL
8.	RW	RETAINING WALL

**LIGHTING LEGEND**

S.NO	SYMBOL	DESCRIPTION
1.	G-SL	STREET LIGHT
2.	SL	POST TOP LANTERN
3.	PL	UNDERWATER LIGHT
4.	BL	BOLLARD LIGHT



- NOTES:**
- All dimensions are in meters.
  - All levels are in meters.
  - All levels are finished levels.
  - Other water dimensions to be followed.
  - Refer STRUCTURAL CONSULTANT'S GFC drawings & details for all FOUNDATIONS, SUB BASES all other structural elements including ROOF Water proofing & other related work.
  - Refer MEP Consultant's GFC drawings/details for all Storm water drains, catch basins, manholes, MWP etc. Electrical loadings, road crossing etc.
  - Refer structural, MEP and other Services consultant's details for pipe columns, lighting & other services etc.
  - Any discrepancies indicated in the drawing shall be brought to the notice of the Landscape Architect before execution.

- This drawing has to be read and coordinated with the following revised and updated detail drawings:
  - Detailed landscape schemes
  - Final landscape section and details
  - Setpoint plans
  - BOQ and Specifications
  - Preparation report
  - Grading details
  - Other structural, MEP and other Services consultant's details
- Any discrepancies indicated in the drawing shall be brought to the notice of the Landscape Architect & Archtected immediately.

**IIT TIRUPATI TRANSIT CAMPUS**



DRAWING TITLE : LANDSCAPE AS BUILT DRAWING - MASTER PLAN



**THRESHOLD ARCHITECTS**  
 NO.5 Bih Lane, Indira Nagar,  
 ADVAR, CHENNAI - 20  
 PHONE : 42115690 / 42115681  
 email: enquiry@thresholdarchitects.com

JOB NO.	DRG NO.	DATE	REVISIONS	SCALE	BY	CHKD.
292	III-TI-AB-1-W-1A/9	12.11.18	AS BUILT DRAWING	1:180	ADAM	GRJ
			REVISIONS			